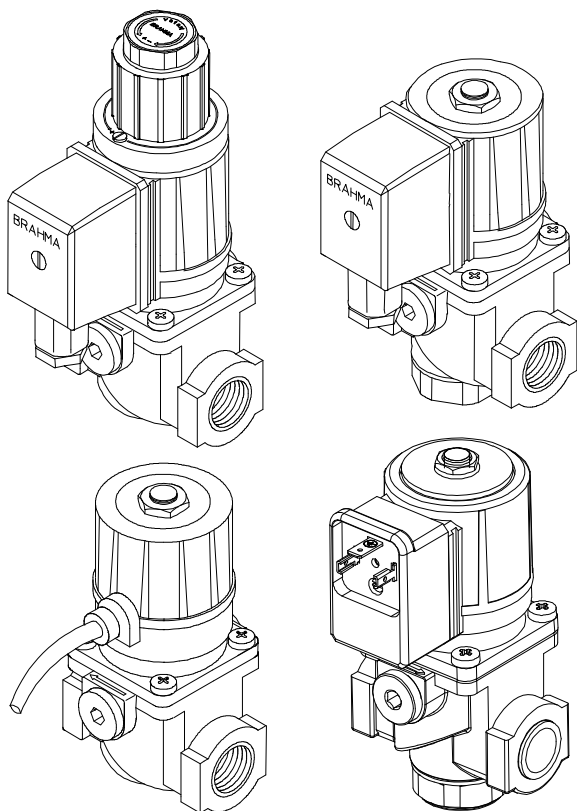


EG12* ... SERIES

SOLENOID GAS VALVES WITH 1/2" CONNECTION AND OPERATING PRESSURE UP TO 500mbar



DESCRIPTION

This series of solenoid gas valves are of normally closed type, suitable for civil and industrial applications, supplied with alternate or direct current and inclusive of a wire-net filter on the inlet to avoid the entrance of dirt of > 1 mm.

Gas valves marked with "S" or "L" after reference type have direct current supplied coil, which permitted to make actions as silent as possible.

There is the possibility to have a fast opening or a slow opening valve (obtained by special hydraulic shock-absorber), with flow adjustment and fast opening initial flow adjustment and inlet pressure plugs (all of them) or outlet plugs (excluding those with flow adjustment).

Gas valves of this series, conforming to EN161, have a CE type Certificate (CE Reg. N° 63AQ0626) in accordance to European Directives 90/396 and 93/68.

TECHNICAL FEATURES

| | |
|------------------------|---|
| Class: | A |
| Group: | 2 |
| Supply voltage (1): | 230 Vac / 50-60 Hz 110 Vac / 50-6 Hz |
| Operating temperature: | -10°C / +60°C |
| Closing time: | ≤ 1s (all versions) |
| Opening time: | ≤ 1s (quick opening versions only) |
| Mounting: | vertical and horizontal |
| Body: | die-cast aluminium |
| Core hitch: | PG9 |

(1) Versions with different supply voltages are available.

INSTALLATION

- Respect the applicable national and European standards (e.g. EN60335-1) regarding electrical safety.
- Assemble the valve to the installation so that the arrow on the valve body has the same direction as the fuel flow.
- During the assembly of the valve to the installation piping, avoid twisting on the sheath and always use an hexagonal key to be fitted to the valve body.
- Make sure that no foreign matters have entered the valve body.
- Make sure that the max. fuel input pressure never exceeds the value appearing on the label.

DIRECTIONS FOR EG12*L... VALVES ADJUSTMENT

Flow adjustment for EG12*L...

To adjust the gas flow, you have to remove one of the two screws used to fasten the lag group (the not enamelled one, marked with 4 in Fig.1) and rotate clockwise the whole group to reduce the flow or in the opposite direction to increase it.

Opening time adjustment

After removing the top protection, by rotating it counterclockwise, you have to act on the adjustment screw, marked with 1 in Fig.1; by rotating clockwise, the opening time becomes longer, by rotating in the opposite direction, the opening time becomes shorter.

Quick release initial flow adjustment

After removing the top protection by rotating it counterclockwise, if you rotate clockwise the nut marked with 2 in Fig.1, the initial release will be reduced; if you rotate the same nut counterclockwise, the initial release will be increased.

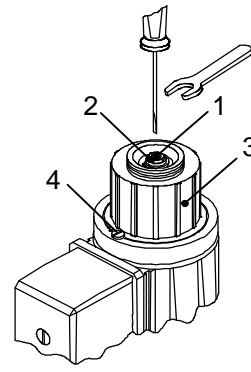


Fig. 1

DIRECTIONS FOR EG12*SR... AND EG12*AR... VALVES ADJUSTMENT

Flow adjustment for EG12*R

After removing the bottom protection by rotating it counterclockwise, rotate clockwise the nut marked with 1 in Fig.2 to reduce the flow, rotate in the opposite direction to increase the same.

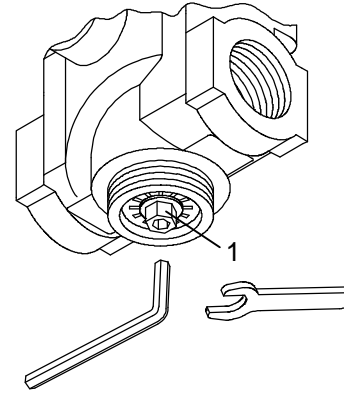
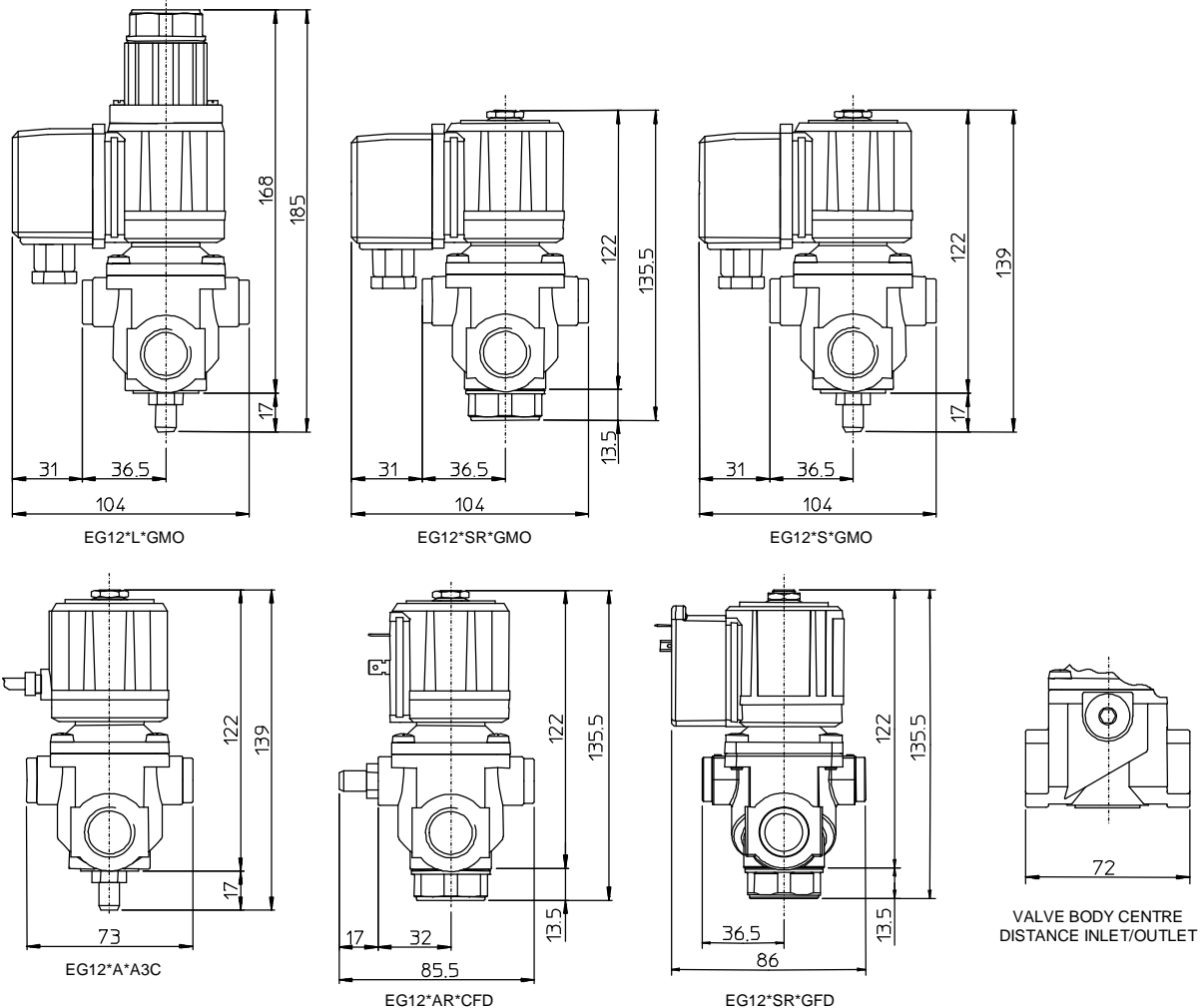


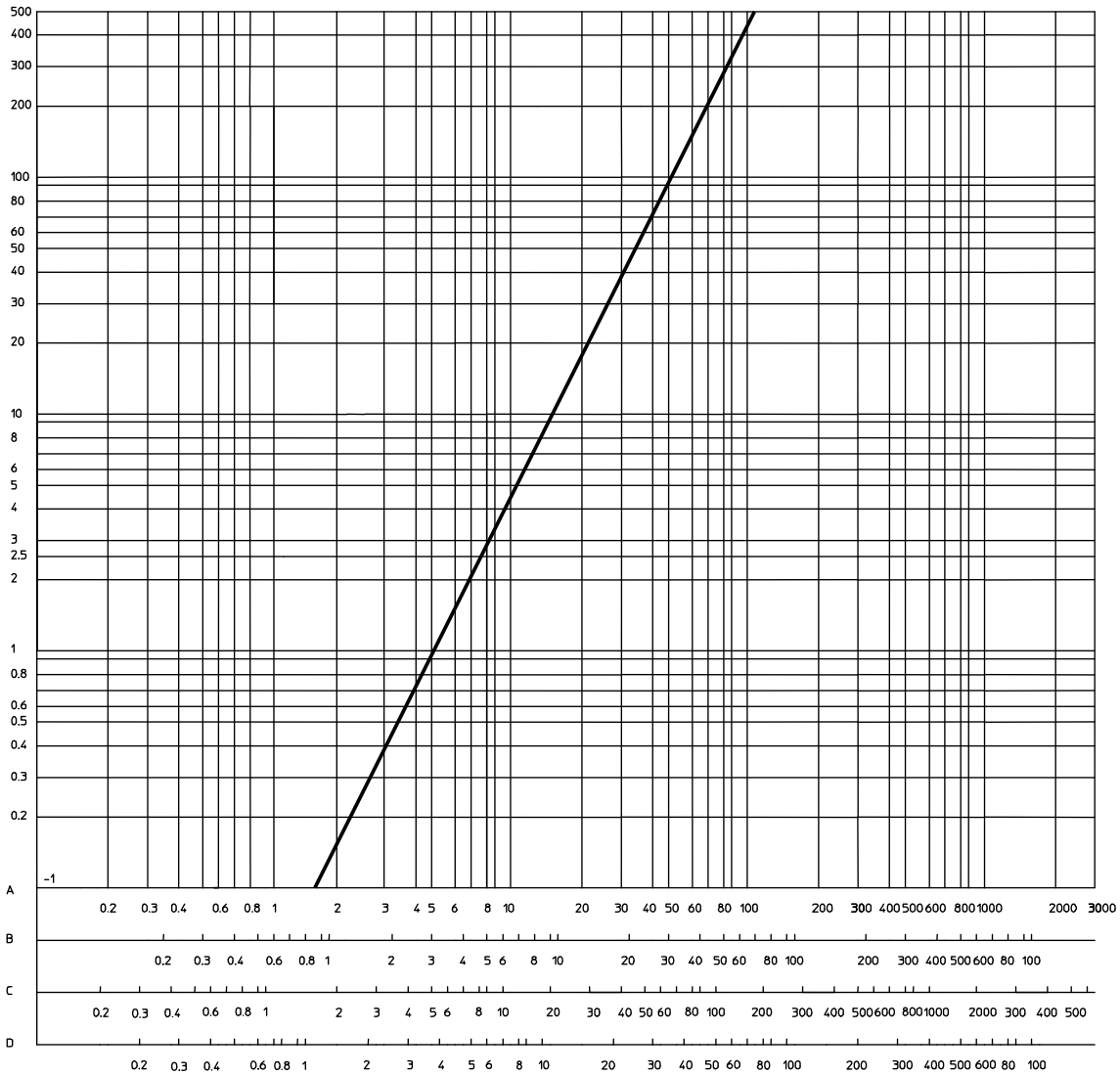
Fig. 2

OVERALL DIMENSIONS



DIAGRAM

PRESSURE DROP
mbar



FLOW RATE
m³/h

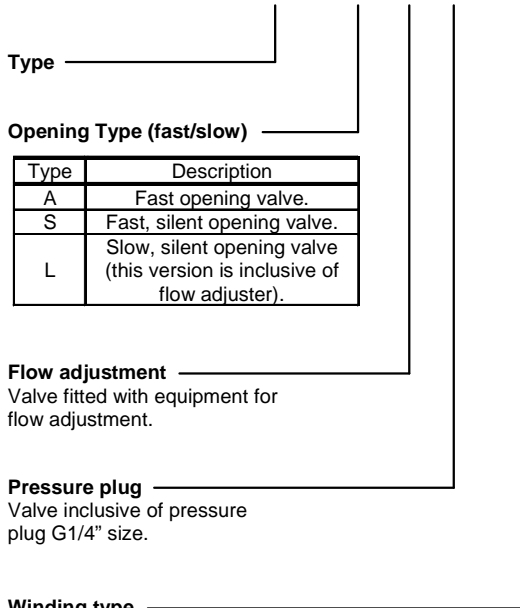
- A : Standard flow rate m³/h of NATURAL GAS relative density 0.554
- B : Standard flow rate m³/h of LPG relative density 1.54
- C : Standard flow rate m³/h of TOWN GAS relative density 0.411
- D : Standard flow rate m³/h of AIR relative density 1

SUMMARY TABLE

| Type | Operating pressure (mbar) | Orifice diameter (mm) | Connections | Weight (g) | Coil | Consumption (VA) 230Vac | Consumption (VA) 110Vac | Flow (m ³ /h gas with $\Delta P 2.5$ mbar) |
|---------|---------------------------|-----------------------|-------------|------------|---------|-------------------------|-------------------------|---|
| EG12*A | 0 ÷ 500 | 15 | G1/2" | 734 | BE6*A3C | 20 | 18 | 7,5 |
| EG12*A | 0 ÷ 500 | 15 | G1/2" | 764 | BE6*AFP | 20 | 18 | 7,5 |
| EG12*A | 0 ÷ 500 | 15 | G1/2" | 766 | BE6*AFD | 20 | 18 | 7,5 |
| EG12*AR | 0 ÷ 500 | 15 | G1/2" | 752 | BE6*A3C | 20 | 18 | 7,5 |
| EG12*AR | 0 ÷ 500 | 15 | G1/2" | 782 | BE6*AFP | 20 | 18 | 7,5 |
| EG12*AR | 0 ÷ 500 | 15 | G1/2" | 784 | BE6*AFD | 20 | 18 | 7,5 |
| EG12*S | 0 ÷ 500 | 15 | G1/2" | 780 | BE6*C3C | 20 | 18 | 7,5 |
| EG12*S | 0 ÷ 500 | 15 | G1/2" | 810 | BE6*CFP | 20 | 18 | 7,5 |
| EG12*S | 0 ÷ 500 | 15 | G1/2" | 812 | BE6*CFD | 20 | 18 | 7,5 |
| EG12*S | 0 ÷ 500 | 15 | G1/2" | 832 | BE6*G.. | 20 | 18 | 7,5 |
| EG12*SR | 0 ÷ 500 | 15 | G1/2" | 800 | BE6*C3C | 20 | 18 | 7,5 |
| EG12*SR | 0 ÷ 500 | 15 | G1/2" | 830 | BE6*CFP | 20 | 18 | 7,5 |
| EG12*SR | 0 ÷ 500 | 15 | G1/2" | 832 | BE6*CFD | 20 | 18 | 7,5 |
| EG12*SR | 0 ÷ 500 | 15 | G1/2" | 851 | BE6*G.. | 20 | 18 | 7,5 |
| EG12*L | 0 ÷ 250 | 15 | G1/2" | 935 | BE6*G.. | 20 | 18 | 7,5 |

TYPE REFERENCE

EG12 * S R P * G FD 8 P D 230/50-60



Type _____

Opening Type (fast/slow) _____

| Type | Description |
|------|--|
| A | Fast opening valve. |
| S | Fast, silent opening valve. |
| L | Slow, silent opening valve (this version is inclusive of flow adjuster). |

Flow adjustment _____
Valve fitted with equipment for flow adjustment.

Pressure plug _____
Valve inclusive of pressure plug G1/4" size.

Winding type _____

| Type | Descrizione |
|------|--|
| A | Supply in alternate current. |
| C | Supply in direct current. |
| G | Supply in alternate current, but valve operates in direct current thanks to an embodied rectification bridge. ("MO" and "FD" connection versions only) |

Supply voltage _____

| Type | Description |
|-----------|----------------|
| 110/50-60 | 110Vac/50-60Hz |
| 230/50-60 | 110Vac/50-60Hz |

Gas pressure switch position _____

| Type | Description |
|------|-------------|
| D | Right |
| S | Left |

Gas pressure switch type _____

| Type | Description |
|------|--------------------|
| P | Fixed setting |
| PR | adjustable setting |

Test pressure point position _____

| Type | Description |
|------|------------------------------------|
| 7 | Inlet left |
| 8 | Inlet right |
| 5 | Outlet ("S" and "L" versions only) |

Connection type _____

| Type | Description |
|------|---|
| 2C | Connection with two core cable-IP65. |
| 3C | Connection with three core cable-IP65. |
| FP | Connection with flat fast-on. |
| FD | Connection with fast-on for plug DIN43650-IP65.(GFD IP40) |
| MO | Connection with terminal board-IP40. |

ATTENTION -> Company Brahma S.p.A. declines any responsibility for any damage resulting from the Customer's interfering with the device.

BRAHMA S.p.A.

Via del Pontiere, 31
37045 Legnago (VR)
Tel. +39 0442 635211 - Telefax +39 0442 25683
<http://www.brahma.it>
E-mail : brahma@brahma.it

2010/11/25 Subject to amendments without notice