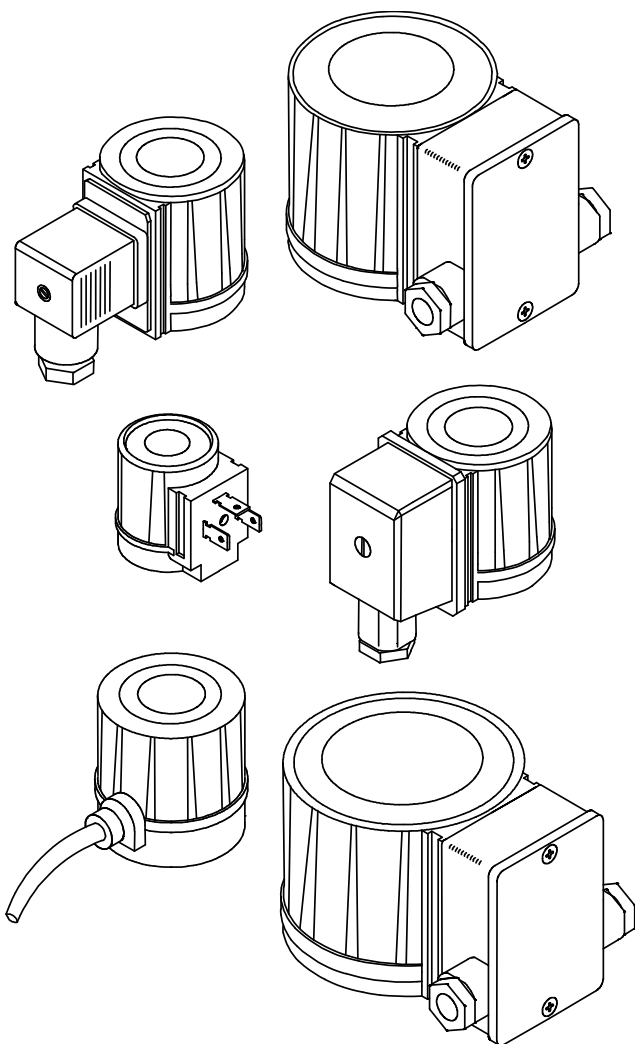


BE... SERIES

COILS FOR SOLENOID VALVES

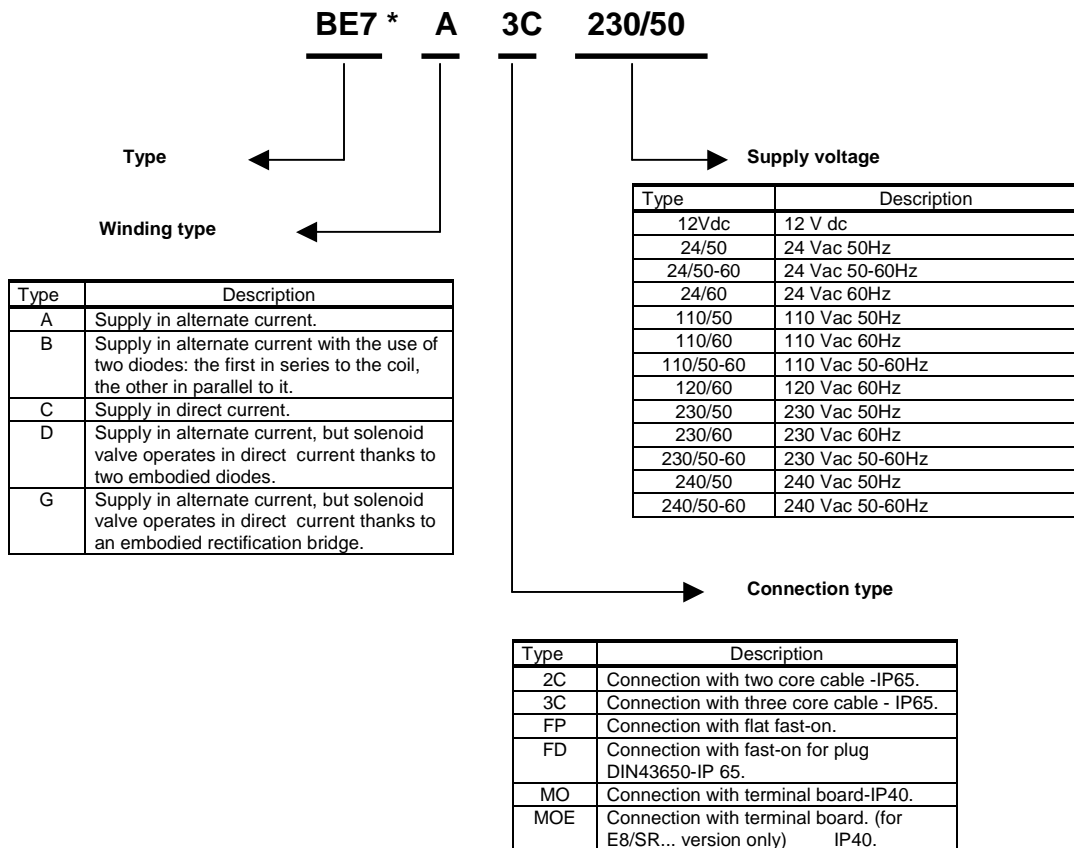
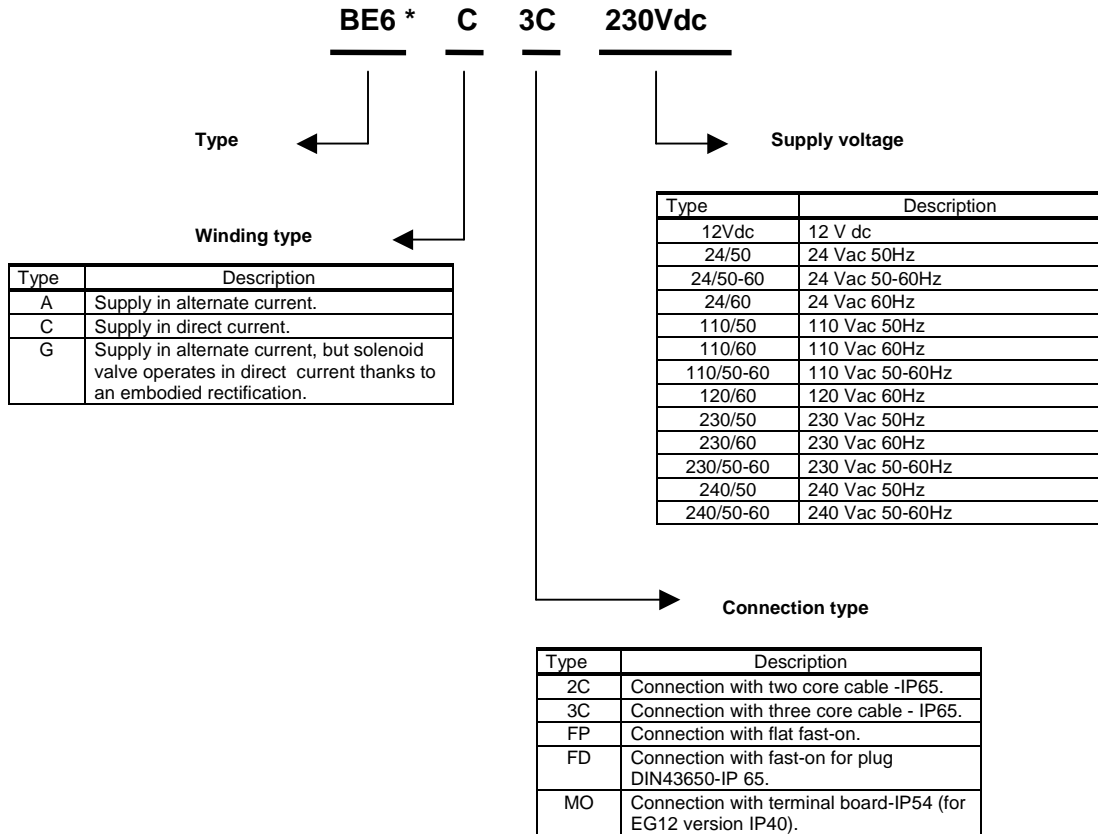


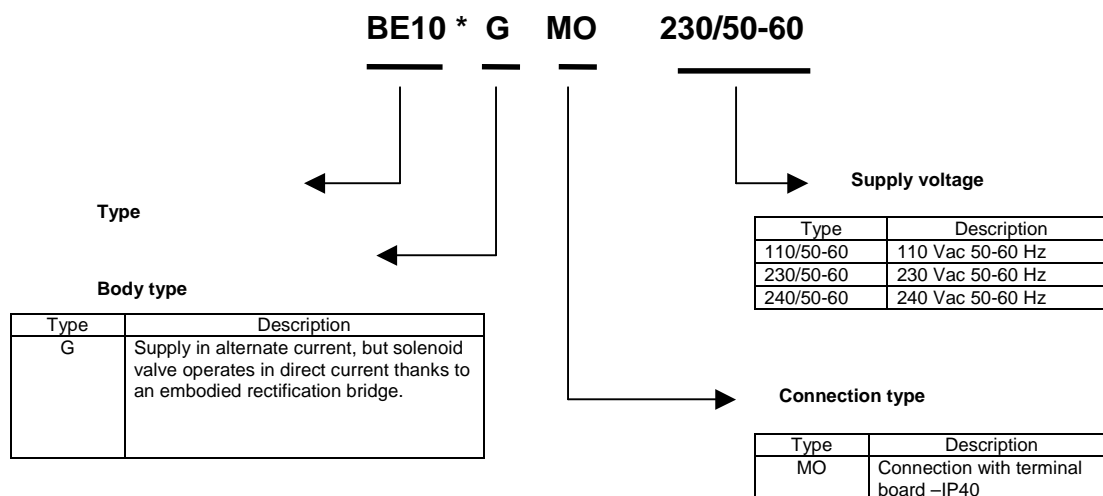
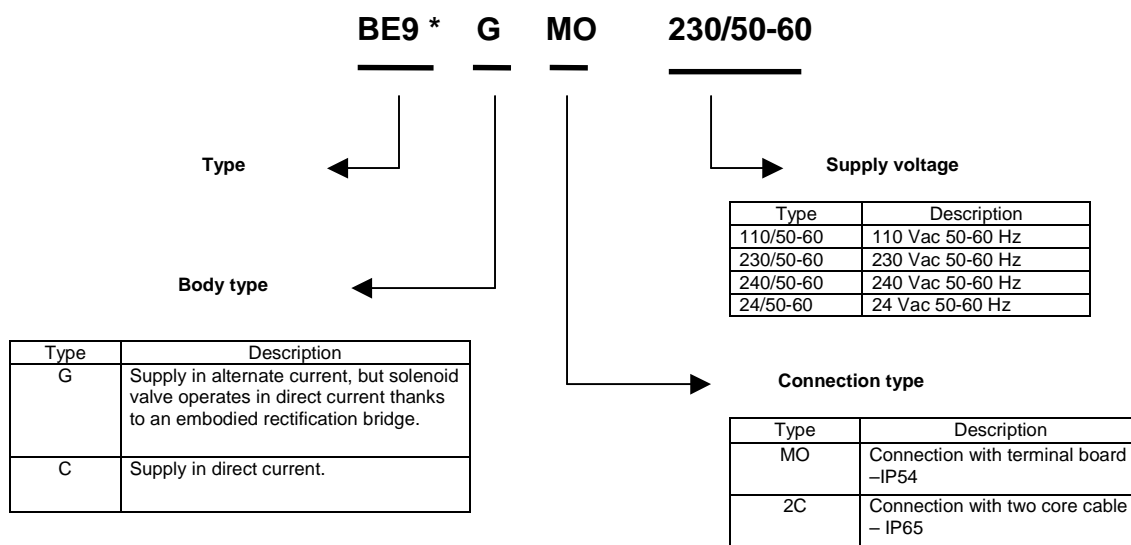
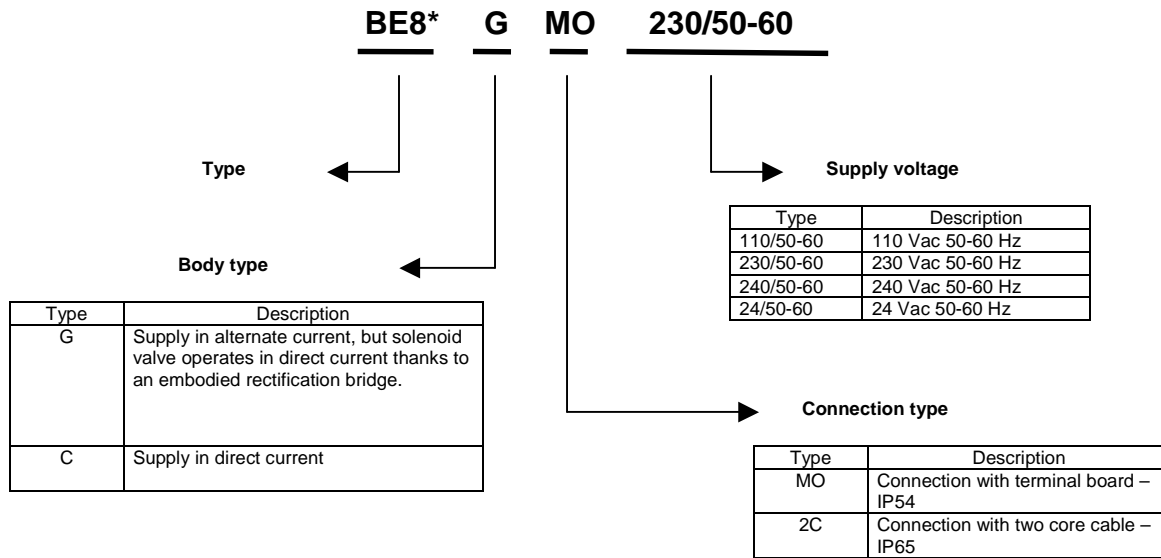
GENERAL DESCRIPTION

BE... type, identifies a group of coils which can be supplied with alternate or direct current, proper to fit any kind of valves in our range of products, suitable for gas, water, steam and liquid fuel in general (on this subject, see technical notes about solenoid valves).

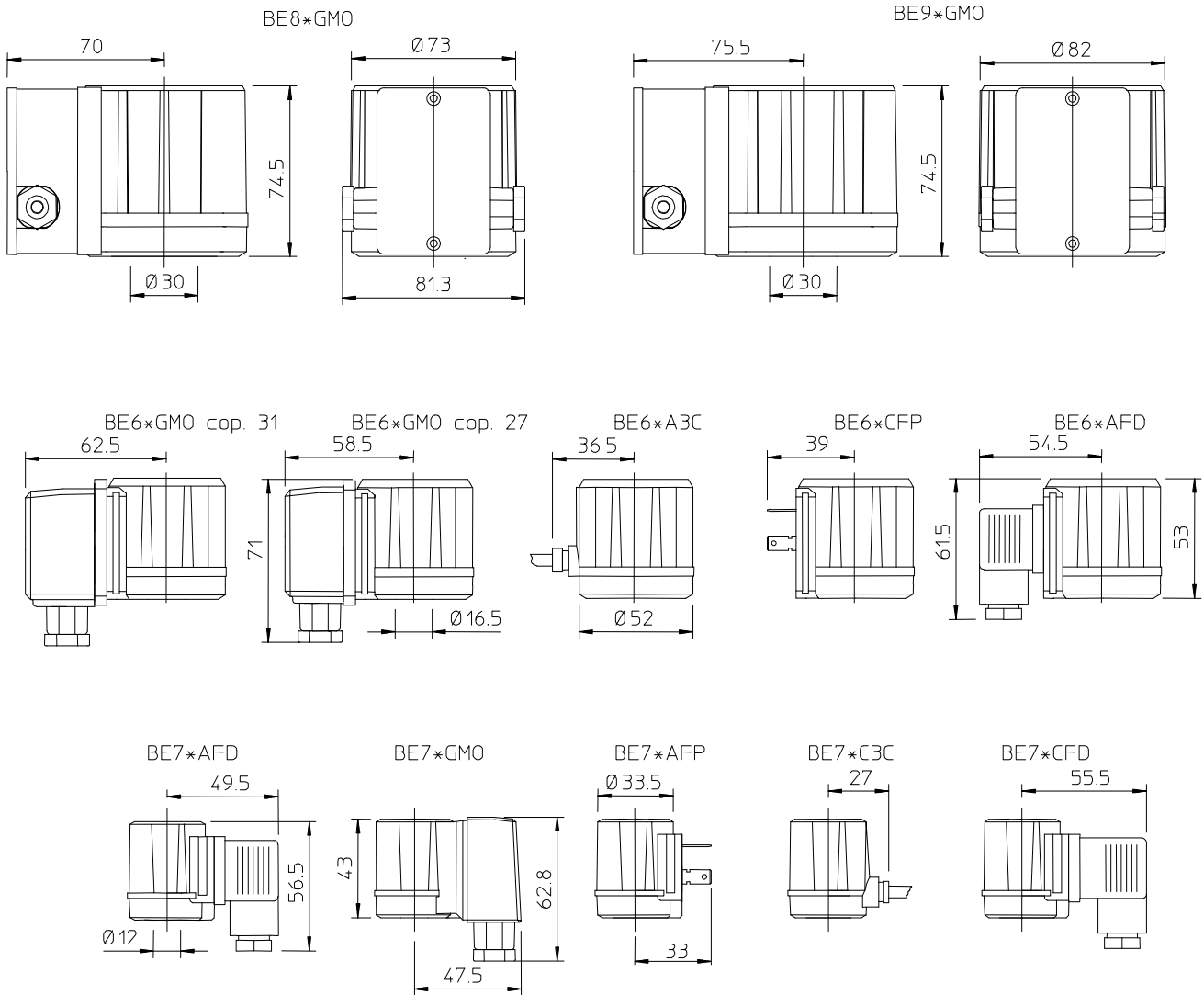
Coils are essentially divided into four groups, different from each other for size, consumption and model of solenoid valve they are suitable to fit.

TYPE REFERENCE





OVERALL DIMENSIONS



ATTENTION -> Company Brahma S.p.A. declines any responsibility for any damage resulting from the Customer's interfering with the device.

BRAHMA S.p.A.
 Via del Pontiere, 31
 37045 Legnago (VR)
 Tel. +39 0442 635211 - Telefax +39 0442 25683
<http://www.brahma.it>
 E-mail : brahma@brahma.it

2010/11/25 Subject to amendments without notice